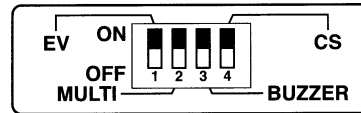


### To set Custom Settings (DIP Switch 4): Located in Battery Compartment.

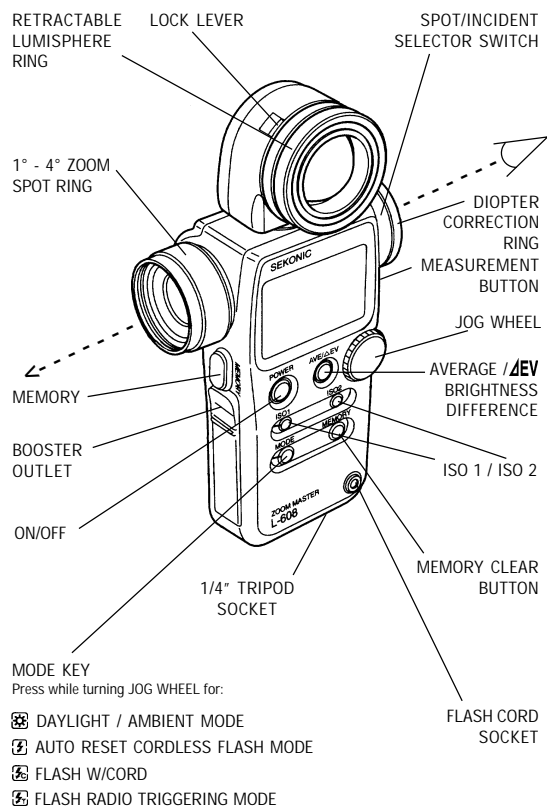
1. Turn power off.
  2. Open battery compartment door and set DIP Switch 4 (CS) to ON (up position).
  3. Turn power on. "CS" (Custom Settings) will appear in upper right hand corner.
  4. Use JOG WHEEL to select Custom Setting number (No.)-see chart below.
  5. Press Mode Key to Select Item Number (Item #)-see chart below.
  6. Set DIP switch 4 (CS) to OFF (this will turn power off automatically).
  7. Replace battery compartment door and press power button on.
- NOTE: Pressing M.CLEAR in CS mode will reset all settings to default (No. 0)



Custom Setting List						
No.	Lighting	Custom Setting Name	Item			
			0	1	2	3
1	Ambient & Flash	ISO 2 Setting	Film Sensitivity 1/3 Step	Filter Setting 0.1 EV Step (-5.0EV)	-	-
2	Ambient & Flash	Exposure Compensation Display Setting	Always Display	Not Displayed	-	-
3	Ambient & Flash	Increments of Shutter Speed	1 Step	1/3 Step	1/2 Step	-
4	Ambient & Flash	Increments of Aperture	1 Step	1/3 Step	1/2 Step	-
5	Ambient	T Priority Mode	Available	Not Available	-	-
6	Ambient	F Priority Mode	Available	Not Available	-	-
7	Flash	Corded Flash Mode	Available	Not Available	-	-
8	Flash	Auto-Reset Cordless Flash Mode	Available	Not Available	-	-
9	Flash	Analyzing Measurement	Available	Not Available	-	-
*10	Ambient	Luminance Display	Not Available	Compound + Individual	Compound	Individual
11	Ambient	Luminance Measurement in Incident Mode	Not Available	LUX	FC	LUX, FC

\* Individual indicates that LUX and Footcandles (FC) will be displayed w/out f/s (or shutter speed) and Analog Scale. Compound indicates that LUX and Footcandles will be displayed with f/s (or shutter speed) and Analog Scale.

## Sekonic L-608 Quick Guide

**On/Off**

Press down power key to turn on meter. Battery icon will appear . Monitors Battery level. Press and hold Power key to turn off.

**Set ISO 1 or ISO 2**

Hold down ISO 1 or ISO 2 while turning the JOG WHEEL.

**Zoom Spot meter mode**

Turn SPOT/INCIDENT SELECTOR SWITCH to to select Spot. Turn 1°-4° ZOOM SPOT RING to select measuring angle. Press measure button.

**Incident meter mode**

Turn SPOT/INCIDENT SELECTOR SWITCH to to select Incident. Turn Lumisphere retracting ring counter-clockwise to the full UP right position. Press measure button.

**Measure Brightness / Contrast Difference**

Turn Lumisphere retracting ring clockwise to lower the Lumisphere to the DOWN position. Select measuring mode then press measure button.

**Ambient Reading**

Select Ambient Mode by holding down the Mode key and turning the JOG WHEEL. Press the measure button.

**Cord Flash Reading**

Select Cord Flash Mode. Connect flash cord. Press measure button, to trigger flash and measure light.

**Cordless Flash Reading**

Select Cordless Flash mode. Press measure button, trigger flash manually, meter measures light, automatically resets.

**Radio Triggering Mode (with optional RT-32 Module)**

Turn power OFF. Remove Connector cover inside battery compartment. Insert optional RT-32 Module. Turn Power ON. Hold MODE key in while turning the JOG WHEEL to RADIO FLASH TRIGGERING MODE, a blinking channel number will appear. Turn JOG WHEEL to select channel number (press mode key to select channel and/or Quad Triggering zones a, b, c, or d available in channels 17-32). Hold MODE key in while turning JOG WHEEL clockwise to return to RADIO FLASH TRIGGERING MODE with f/stop and shutter speed. Press measure button: simultaneously fires flash and measures light.

**Memory Function**

Take measurement, press Memory button. Up to nine readings can be stored and displayed on the analog memory scale by repeating the procedure. A tenth measurement can also be displayed.

**Motion Picture (CINE)**

Turn JOG WHEEL (in T Priority Mode) past shutter speed 8000 to select f/s (frames per second). Press measure button.

**Averaging Function**

After two of more measurements are memorized, toggle AVE/ΔEV key. Averaged exposure will be displayed in digital and analog readouts. Operates in all measuring modes.

**Brightness Difference Function**

Can be used in all modes (incident, reflected, ambient and flash). Take measurement(s), press the AVE/ΔEV button ΔEV will display. Press and hold down the Measure button. The difference between the last memorized reading or averaged reading and new area measured is displayed in +/- 1/10th steps of EV.

**Flash Analyzing**

In all flash modes: Take a flash measurement. A combined reading of both ambient and flash will be displayed. Turn the JOG WHEEL to adjust ratio between ambient and flash. Adjust aperture and shutter as required on camera.

**EV Readout (DIP Switch 1) Located in the battery compartment**

Set DIP Switch 1 (EV) to "ON". Select Ambient Mode. Hold down Mode key and turn JOG WHEEL until EV readout shows. Press measure button.

**Multi Flash Mode (DIP Switch 2)**

Set DIP Switch 2 (MULTI) to "ON". Hold down Mode key and turn JOG WHEEL to select Cord, Cordless or Radio Trigger Mode with MLT shown on display. Press Measure button until target f/stop is achieved.

**Buzzer (DIP Switch 3)**

Set DIP Switch 3 (BUZZER) to "ON". Hold down Mode key and turn JOG WHEEL to select Cordless Flash Mode. Press Measure button. Trigger flash-buzzer in meter will sound each time a reading is made.

**Exposure Compensation**

Hold in both ISO 1 and ISO 2 simultaneously and turn the JOG WHEEL to exposure compensation needed between +/- 9.9 EV.

**Calibration**

Meter must turned off. Tap Power button once while holding in ISO 1 and ISO 2 keys. CAL will be displayed on panel. Turn the JOG WHEEL while holding down both ISO keys to compensate between +/- 1.0 EV.